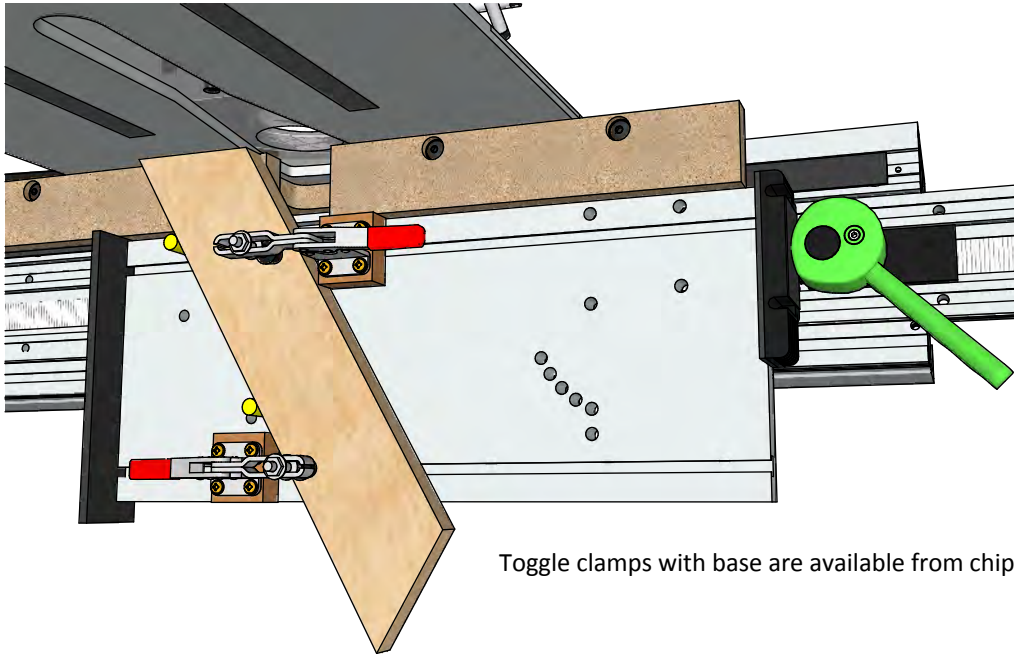
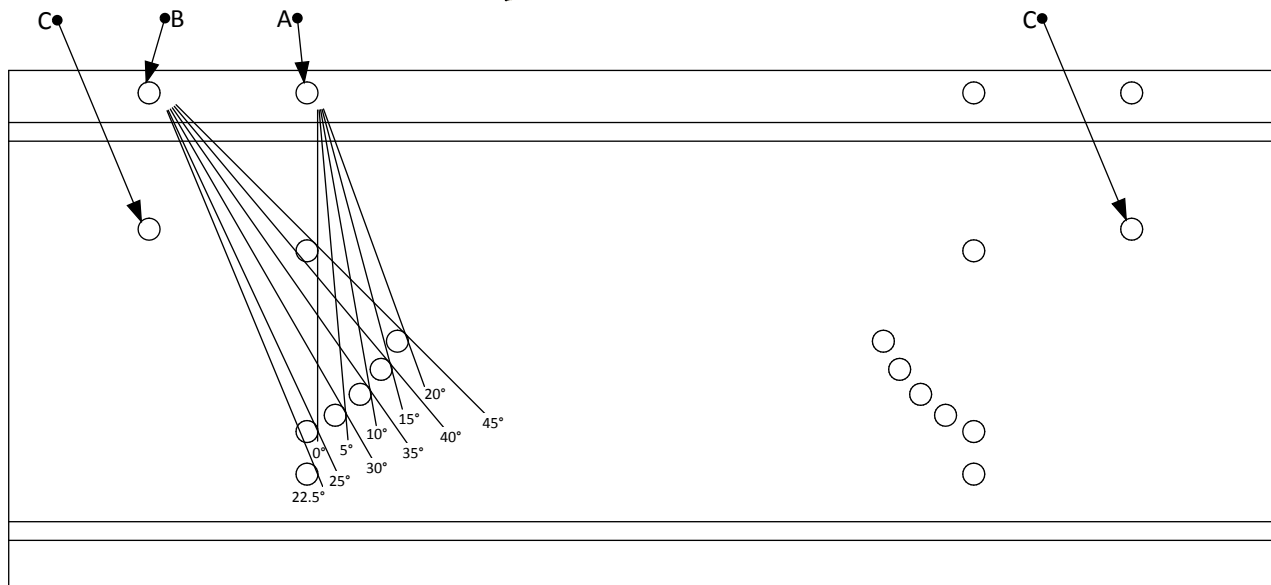


Router Boss Power Feed Plate



Toggle clamps with base are available from chipsfly.com



Insert locator pins in hole A or B and in lower holes at desired angle.

To support Power Feed Plate, place two locator pins on the back of the plate in the holes marked "C". These locator pins ride on the groove in the sliding bar.

