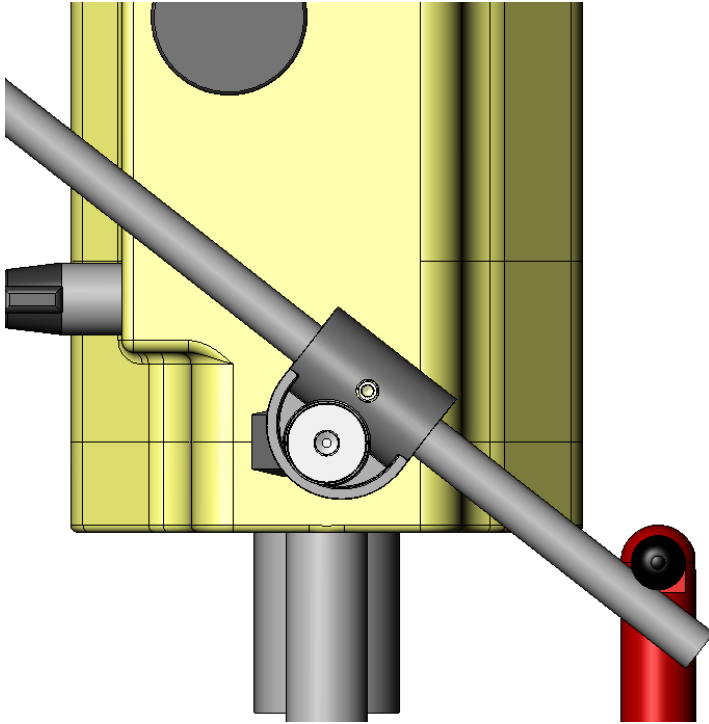
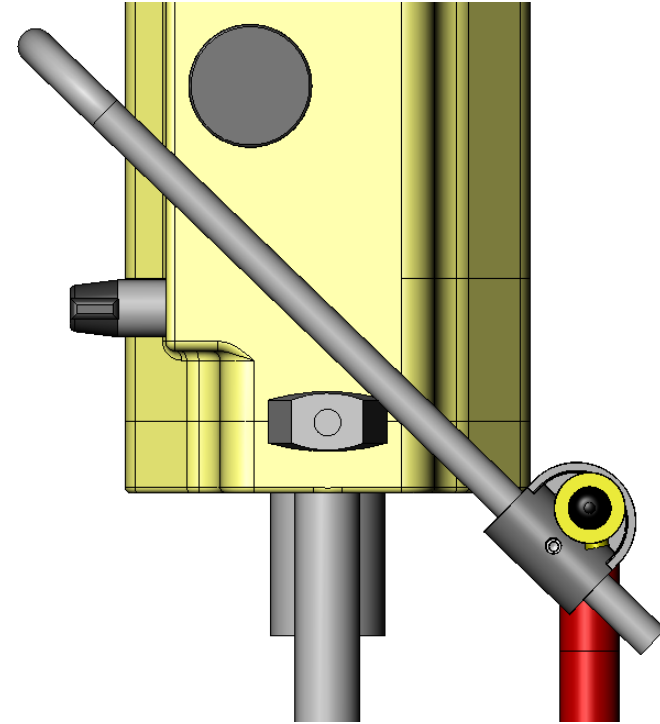


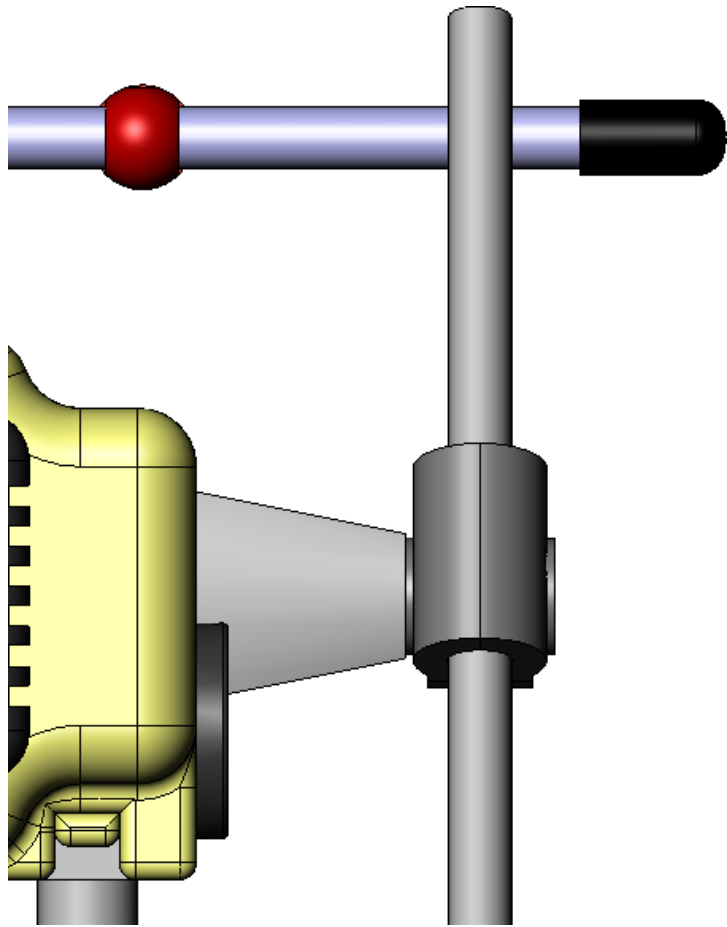
Router Boss_ Plunge Assist

**DeWalt 625 Configuration:**

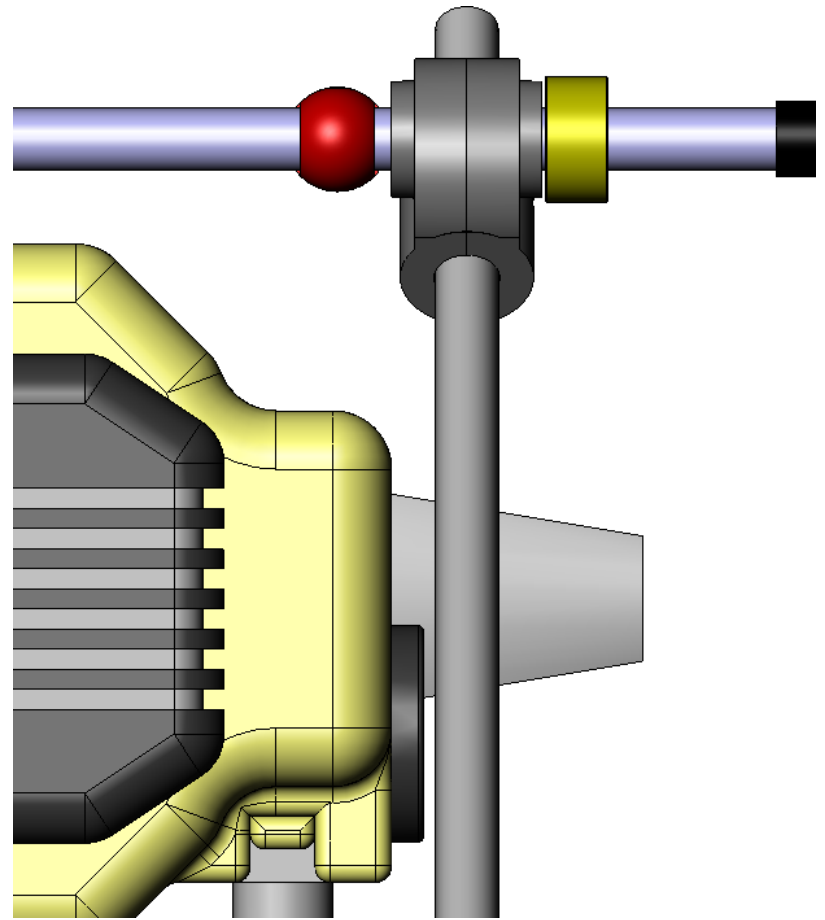
- Uses sleeve (**AR282- for 5/16" shaft, 3/4" length**) with the routers handle screws.
- Uses back cross bar (**AR267- Ø 3/8" x 1' length**) as leverage.

**Universal Configuration:**

- Uses sleeve (**AR296- for 3/8" shaft, 3/4" length**) and shaft collar (**AR297- Bore 3/8", width 3/8"**).
- Uses router handles as leverage.



DeWalt 625 Configuration



Universal Configuration