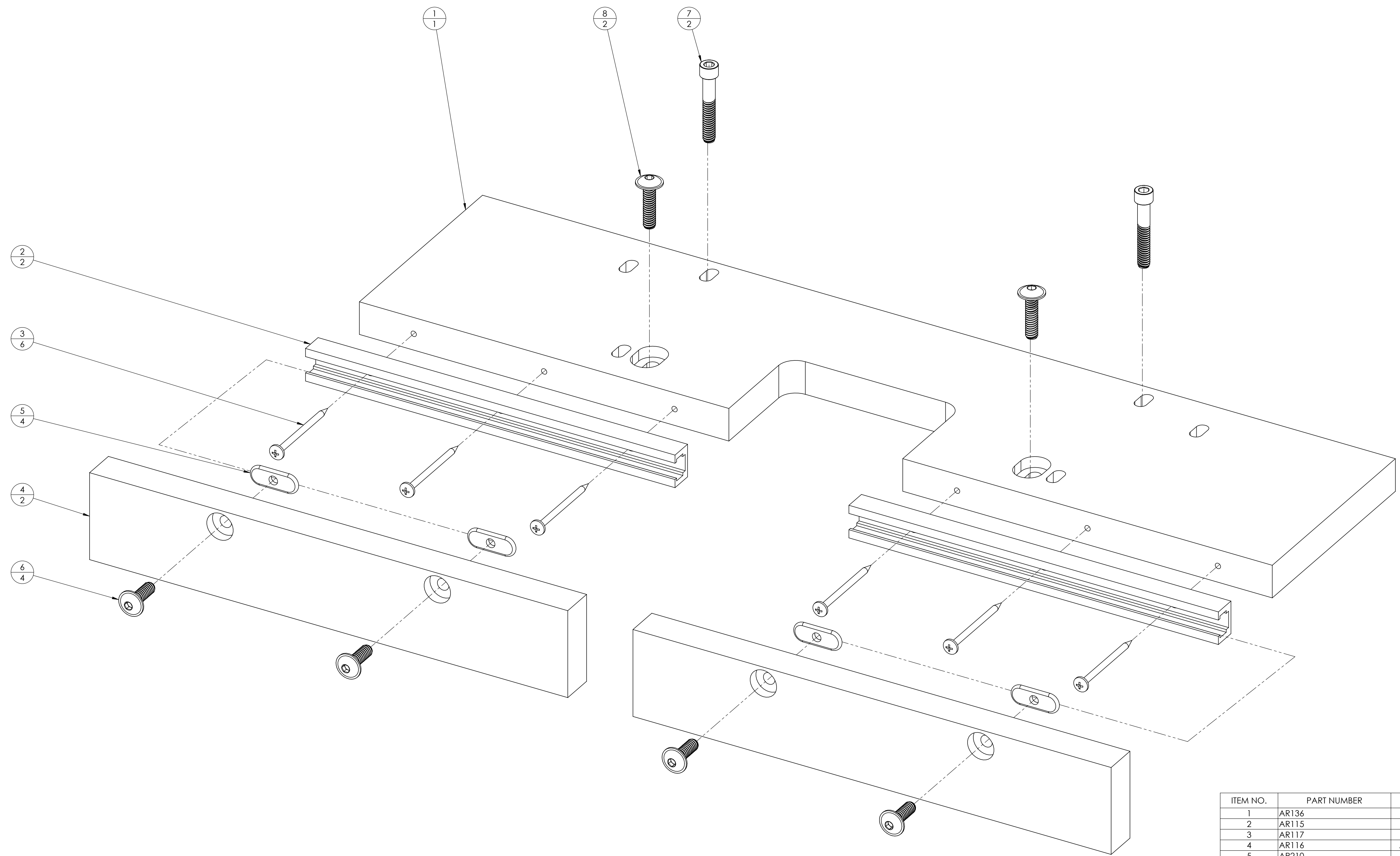


REVISIONS		
LTR	DESCRIPTION	DATE
A	RELEASED	3/31/2008



ITEM NO.	PART NUMBER	DESCRIPTION	QTY.
1	AR136	RISER PLATE	1
2	AR115	T-TRACK - RISER PLATE	2
3	AR117	#10 X 1.25" WOOD SCREW	6
4	AR116	ADJUSTABLE FENCE - RISER PLATE	2
5	AR210	T-SLOT NUT- 1/4-20	4
6	AR119	1/4"-20 X 3/4" FLANGED SCREW	4
7	AR234	1/4"-20 X 1.5" CAP SCREW	2
8	AR299	1/4"-20 X 1" FLANGED SCREW	2

		DESCRIPTION	
		RISER PLATE ASSEMBLY	
DRAWN BY		SCALE	MATERIAL
MKS		1:4	SEE BOM
DATE		DRAWING NUMBER	TOLERANCES UNLESS OTHERWISE SPECIFIED:
4/1/2008		AR_SUB_002	X.XX = ± .01 X.XXX = ± .005 ANGULAR = ± 1/2°
<small>CONFIDENTIAL: NOT TO BE REPRODUCED OR USED IN ANY WAY WITHOUT WRITTEN APPROVAL FROM SAEC/kinetic vision</small>			SHEET 1 OF 1 CAD