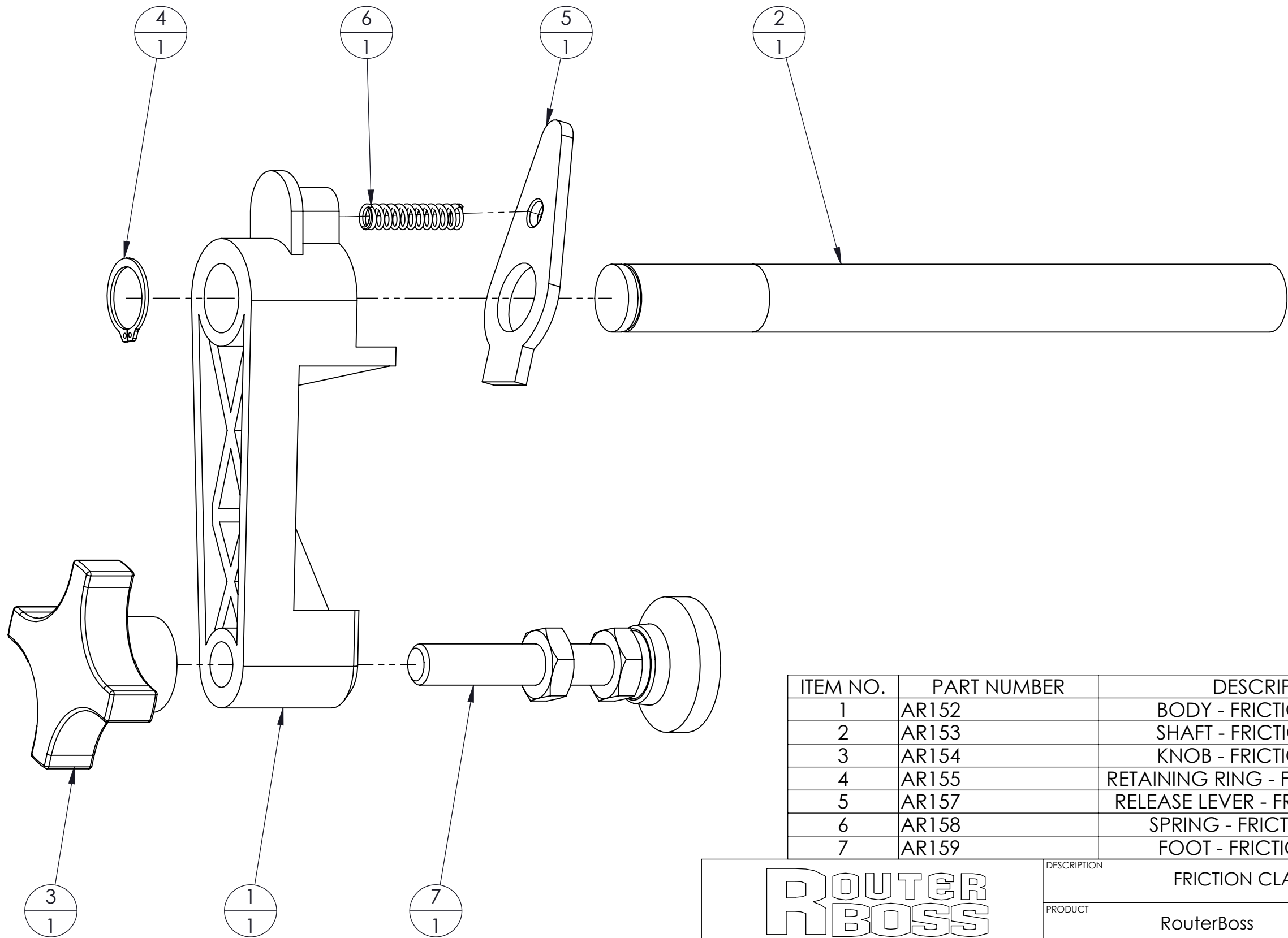


REVISIONS		
LTR	DESCRIPTION	DATE
A	RELEASED	3/31/2008



ITEM NO.	PART NUMBER	DESCRIPTION	QTY.
1	AR152	BODY - FRICTION CLAMP	1
2	AR153	SHAFT - FRICTION CLAMP	1
3	AR154	KNOB - FRICTION CLAMP	1
4	AR155	RETAINING RING - FRICTION CLAMP	1
5	AR157	RELEASE LEVER - FRICTION CLAMP	1
6	AR158	SPRING - FRICTION CLAMP	1
7	AR159	FOOT - FRICTION CLAMP	1

		DESCRIPTION FRICTION CLAMP ASSEMBLY	
		PRODUCT RouterBoss	MATERIAL SEE BOM
DRAWN BY MKS	SCALE 1:1	DRAWING NUMBER AR_SUB_004	TOLERANCES UNLESS OTHERWISE SPECIFIED: X.XX = ± .01 X.XXX = ± .005 ANGULAR = ± 1/2°
DATE 4/1/2008	UNITS IN	CONFIDENTIAL: NOT TO BE REPRODUCED OR USED IN ANY WAY WITHOUT WRITTEN APPROVAL FROM SAEC/kinetic vision	
		SHEET 1 OF 1	CAD