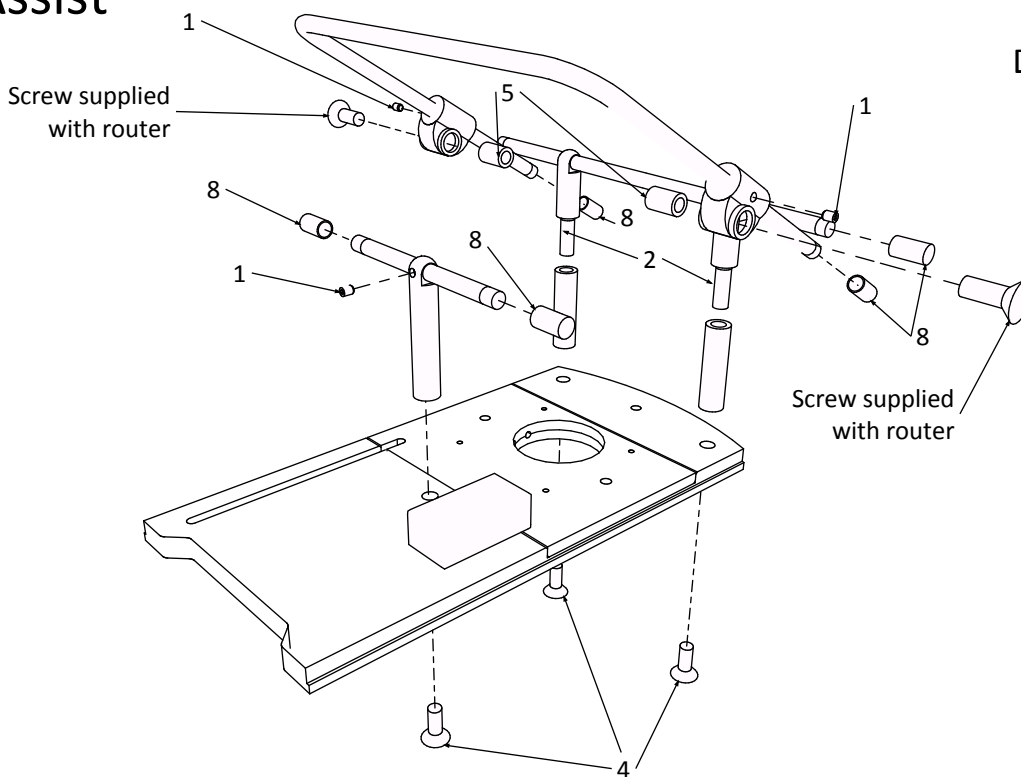


# Plunge Assist

For DeWalt  
DW625 Router



### Content of Router Boss Plunge Assist Kit Fastener Bag

1	5	10-32 x 1/4" Socket Head Set Screw	Secure rods in standoffs and sleeve adapter
2	2	3/8-16 x 1" Threaded Rod	Join top/bottom of rear standoff
3	4	3/8-16 Hex Jam Nut	Spacer on threaded rod to extend rear standoffs
4	3	3/8-16 x 1" Flat Socket Head Screw	Attach standoffs to laser router plate
5	2	5/16" Sleeve Bearing 1/2" OD, 3/4" Length	Bearing in sleeve adapter for DeWalt 625
6	2	3/8" Sleeve Bearing 1/2" OD, 3/4" Length	Bearing in sleeve adapter for other than DeWalt 625
7	2	3/8" Shaft Collar 3/4" OD, 3/8" Width	Position U-bar on rear rod for other than DeWalt 625
8	4	3/8" Vinyl End Cap	Cover on ends of straight steel rods

Mount for other  
Routers with U-bar  
over router handles

