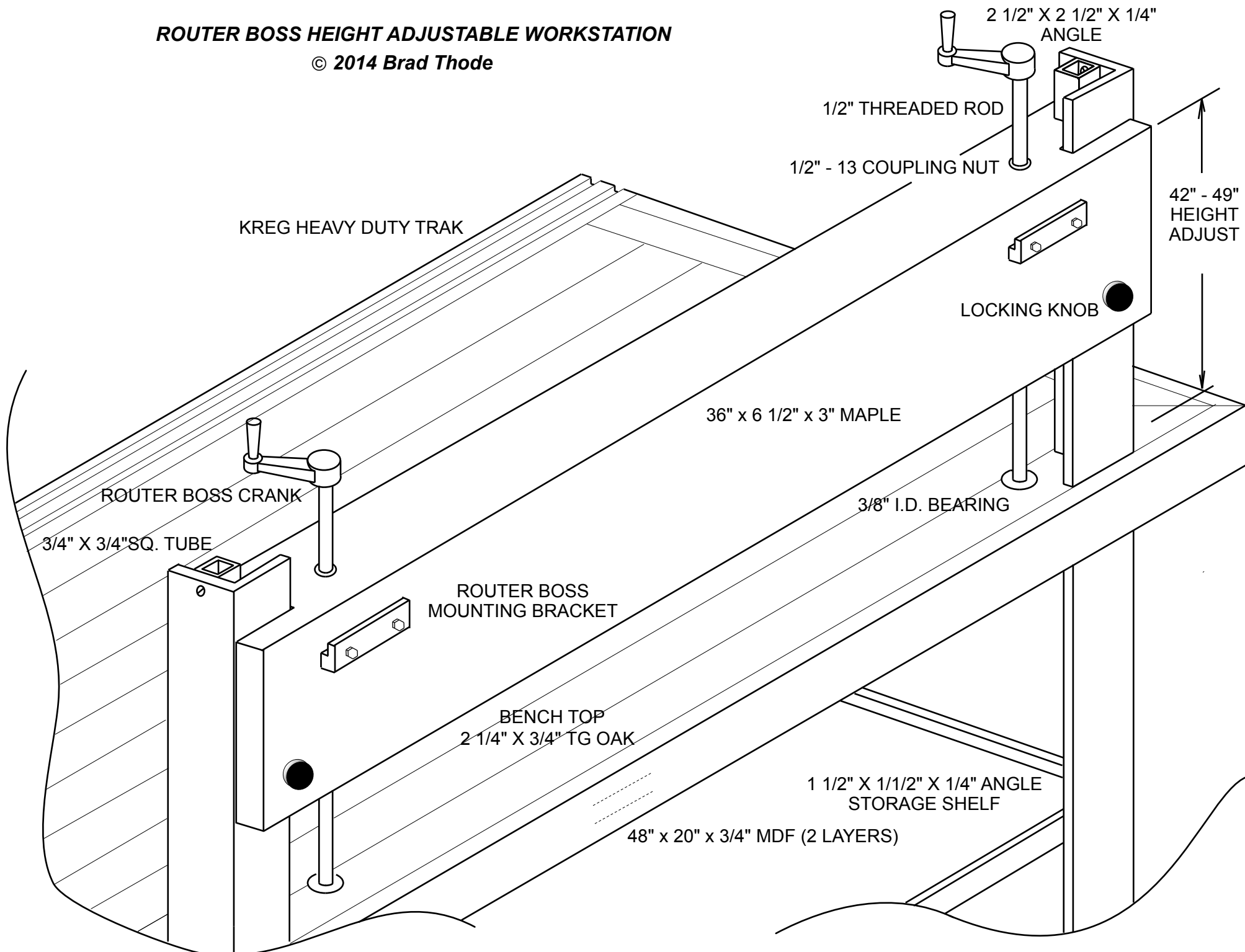


ROUTER BOSS HEIGHT ADJUSTABLE WORKSTATION

© 2014 Brad Thode



2 1/2" X 2 1/2" X 1/4"
ANGLE

1/2" THREADED ROD

1/2" - 13 COUPLING NUT

42" - 49"
HEIGHT
ADJUST

KREG HEAVY DUTY TRAK

LOCKING KNOB

36" x 6 1/2" x 3" MAPLE

3/8" I.D. BEARING

ROUTER BOSS CRANK

3/4" X 3/4" SQ. TUBE

ROUTER BOSS
MOUNTING BRACKET

BENCH TOP
2 1/4" X 3/4" TG OAK

1 1/2" X 1 1/2" X 1/4" ANGLE
STORAGE SHELF

48" x 20" x 3/4" MDF (2 LAYERS)